

# GC-B04Thunderbolt 4Docking Station

## Specification

### 1. Product ID



### 2. Port

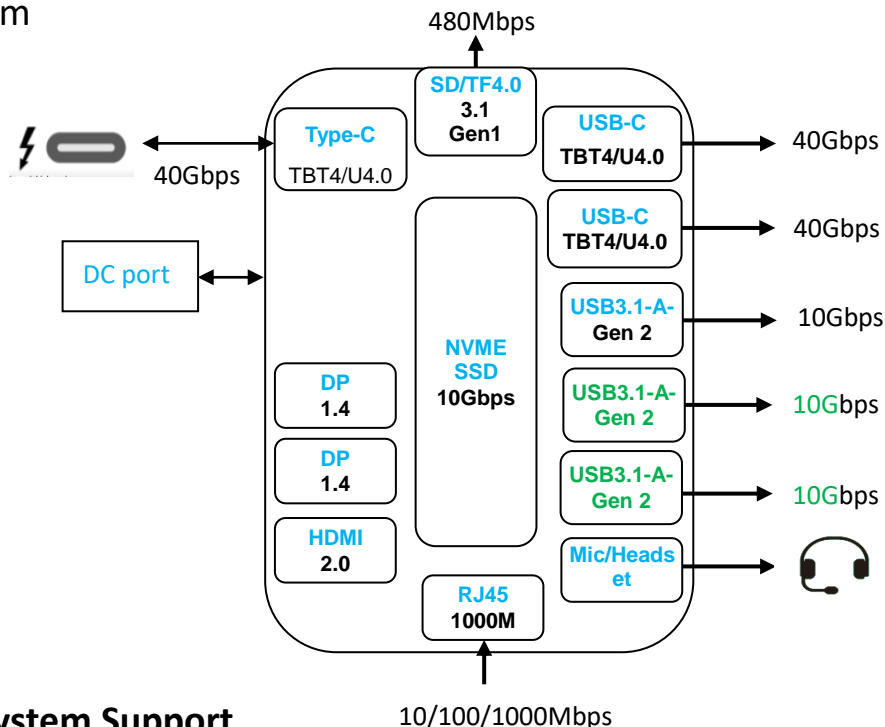
- A. Thunderbolt 4 Uplink (UFP) 40Gbps x 1
- B. Thunderbolt 4 Downlink (DFP) 40Gbps x 2
- C. DP 1.4 port x 2
- D. HDMI 2.0 port x 1
- E. USB3.1 Gen 2 10Gbps A port x 3
- F. 10/100/1000M Ethernet port x1
- G. Headset/MIC Combo Jack x1
- H. SDCard / TF Card 3.1 Gen1 x1
- I. 20V/6A DC IN x1

### 3. Features

➤ Thunderbolt™ 4 docking station only needs one Thunderbolt™ 3 cable to charge MacBook Pro at full speed and drive five 4K (**DP+DP+HDMI** 4K60Hz+4K30Hz+1080P60Hz or 3\*4K30Hz or 1 DP\*8K30Hz; **TB4+TB4** 2\*TB4 4K@60Hz or 1 TB4 8K@30Hz) external display, and bring high-speed data transmission up to 40 Gbps per port, give full play to the flexible characteristics of USB-C Thunderbolt™ 4 that can output power/display/data at the same time, **The Upstream Port is TBT4/USB4.0, a maximum of 8K@30Hz can be output through a single downstream Type-C port, and a maximum of 4K@60Hz can be output through two downstream Type-C ports at the same time.**

- A. Uplink port (UFP) supports Thunderbolt 4 Connect to a Mac that supports Thunderbolt 3 or Thunderbolt 4, 85w (for UFP)/8K@30Hz/40Gbps.
- B. 2 Downstream Ports (DFP) support high-speed data transmission of 40 Gbps per port, **a maximum of 8K@30Hz can be output through a single downstream Type-C port, and a maximum of 4K@60Hz can be output through two downstream Type-C ports at the same time**, can connect up to 6 other Thunderbolt 4 devices in a daisy chain to connect with laptops and expand the number of arrays, and can also connect to other iPhones, iPads Or USB Type C HUB devices and provide 15W power supply, and can also connect external graphics cards and matrix hard drives.
- C. 2 DP ports support single 5K@60Hz or dual 4K@60Hz +4K@30Hz display output.
- D. HDMI port supports single 4K@60Hz display output.
- E. USB3.1 Gen 2 A port supports 10Gbps and 5V@1.5A.
- F. Support 10/100/1000 BASE-TX Auto MDI/MDI-X, transmission rate: 1000Mbps.
- G. 3.5mm stereo audio output and MIC input interface, American standard (CTIA).
- H. For external SD memory card. USB3.1 card reader, supports SD3.1 Gen1 specification, can read 2 cards at the same time.
- I. Used to power the product and charge the host computer, the input power is 120W.  
Support built-in M.2 NVME (M KEY) maximum 2T SSD hard drive, 10Gbps/S.

### 4. Block Diagram



### 5. Operating System Support

- A. **Compatible with Thunderbolt™ 4, USB4, USB3/DP PCs and Thunderbolt™3 Macs.**
- B. **The Upstream Port support TBT4/USB4.0/TBT3, Compatibly the WIN10, macOS 11(Big Sur) and Latest OS.**

### 6. Power & Accessories

- A. Power Supply: External universal Power (120W/ 20V@6A) x1.
- B. 0.7Mthunderbolt 3 cabledx1.

- C. User manual x1.
- D. White box x1.